

**Burns and Ferrall Locations**

**AUCKLAND**  
 12 Reg Savory Place  
 East Tamaki, Auckland

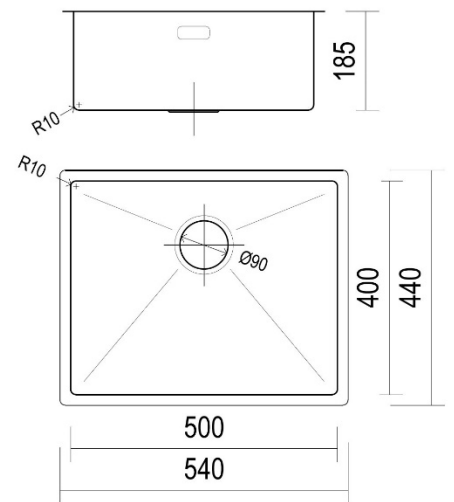
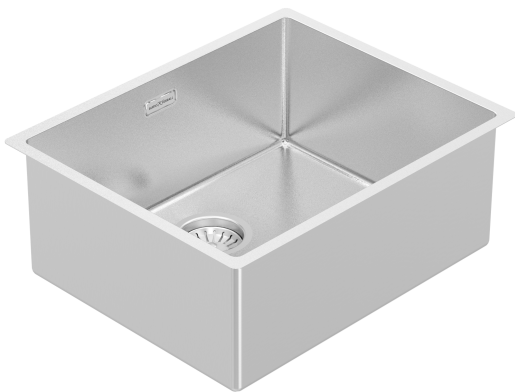
0800 697 465

**WELLINGTON**  
 122-124 Tory Street  
 Te Aro

**HAMILTON**  
 60 Alexandra Street  
 Central

**CHRISTCHURCH**  
 345 St Asaph Street  
 Christchurch

**Product Specification Sheet  
 DIM540R10**



**Designer R10  
 B&F Designer R10 500 Single Bowl**

<b>Models</b>	<b>Corner Radius</b>
DIM540R10	10mm
<b>Overall Dimensions W x D</b>	<b>Waste</b>
540 x 440mm	90mm
<b>Bowl Dimensions W x D x H</b>	<b>Installation</b>
500 x 400 x 210mm	Undermount
<b>Material &amp; Finish</b>	<b>Minimum Cabinet Size</b>
1.2mm 304 Stainless Steel, DIAMOND FINISH	620mm

Accessories Available (optional)

- |   |   |   |   |  |   |
|---|---|---|---|--|---|
|  |  |  |  |  |  |
| <b>BFDCB15</b><br>CHOPPING BOARD<br>430 X 370mm                                     | <b>BFDDB</b><br>DRAINING BASKET<br>390 X 325mm                                      | <b>BFDCBCO15</b><br>BOARD & COLANDER<br>415 X 415mm                                 | <b>BFDDT15</b><br>DRAINING TRAY<br>425 X 380mm                                      | <b>BFDRMB</b><br>ROLLER MAT<br>480 X 450mm   | <b>BFDCO</b><br>COLANDER<br>430 X 165mm   |

E&OE – it is recommended all measurements are taken directly from the product. Specification subject to change without notice, always consult the literature supplied with the product. Coloured images are indicative only.